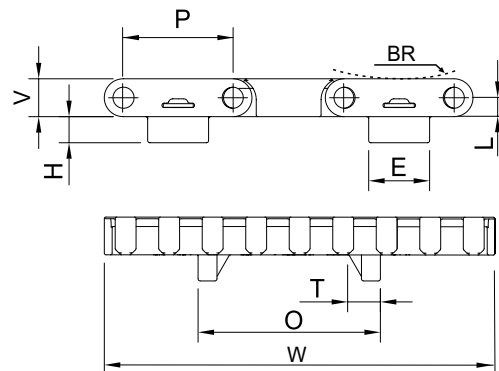
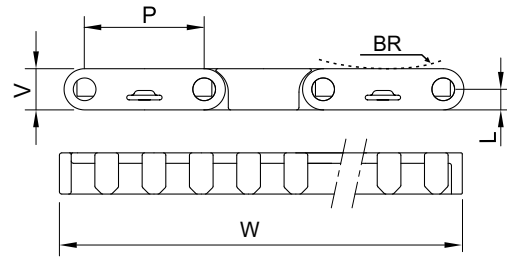
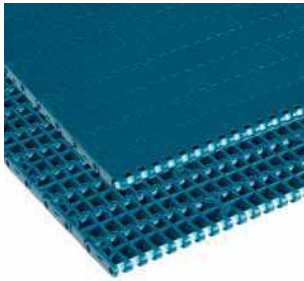




SP-1000 SERIES



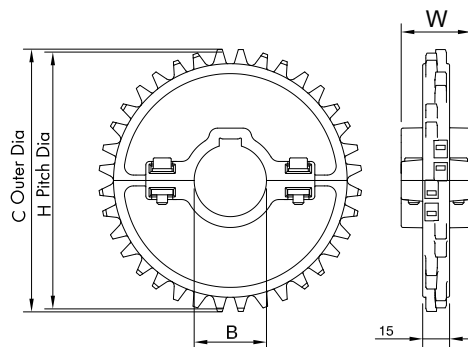
DIMENSION	mm	inch
P	25.4	1.00
V	8.70	0.34
L	4.35	0.17
H	6.00	0.24
E	14.0	0.55
T	8.00	0.32
O	42.1	1.73

Plate Materials : Polyacetal

Pin Material : Polyacetal

SP-1000

	Width W (mm)	Width W (inch)	Working Load (N)	Backflex Radius(BR) (mm)	Weight (kg/m)
SP-1000 FTDP 84	84.0	3.31	22000	25	6.50



SP-1000 (SPROCKET)

CODE	TEETH Z	C	H	M/D	
				S	W
SP-1000 S 12	12	96.5	98.1	★30,35,40	39
SP-1000 S 16	16	130.6	130.2	★30,35,40	39
SP-1000 S 18	18	146.8	146.3	★30,35,40	39
SP-1000 S 20	20	163.1	162.4	★30,35,40	39

* Type of bore : ★ - round & square, ■ - square, ● - round

* For material availability contact our sales team

* M/C - Machined solid, M/D - Moulded solid, S - Availability, W - Sprocket Width