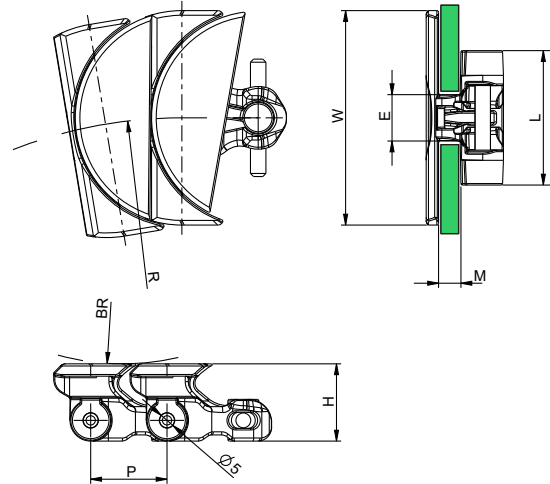




SP-1775 SERIES



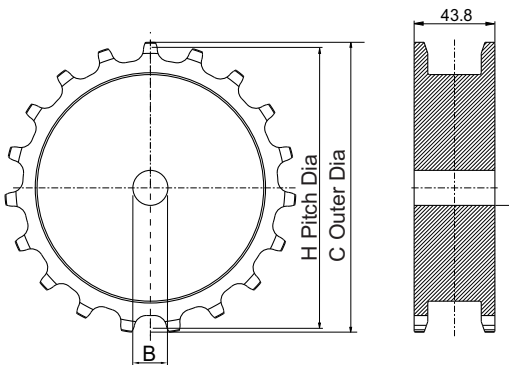
DIMENSION	mm	inch
P	25.0	0.98
M	7.0	0.28
L	43.5	1.71
H	25.0	0.98
E	15.0	0.59

Plate Materials : Polyacetal
Pin Material : Stainless steel

SP-1775 (Zerogap Chain)

	Width W (mm)	Width W (inch)	Working Load (N)	Backflex Radius(BR) (mm)	Sideflex Radius(R) (mm)	Weight (kg/m)
SP-1775	70.0	2.76	1000	80	150	1.05

standard length : 200 pitches (16.4 feet - 5 m)



MATERIAL : POLYAMIDE

SP-1775 (SPROCKET)

TEETH (Z)	C	H	B	M/C
19	157.9	151.9	25.0	●

BORE (B) - Ø 25,30,35,40