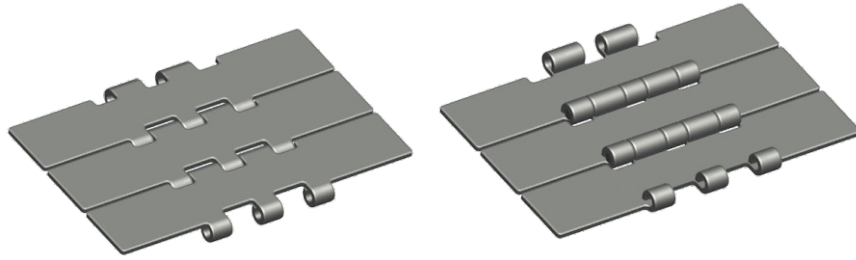




SP-802 SERIES



DIMENSION	mm	inch
P	38.1	1.5
M	80	3.15
L	6.4	0.25
H	13.0	0.51
E	6.4	0.25
T	3.1	0.12
G	1.8	0.07
D	82.5	3.24

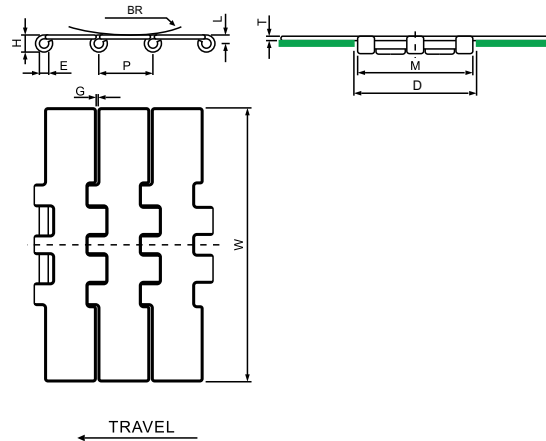


Plate Materials : Ferritic steel
Pin Material : Martensitic steel

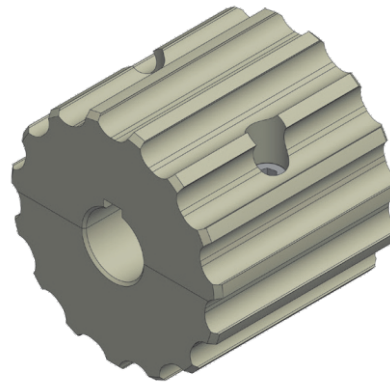
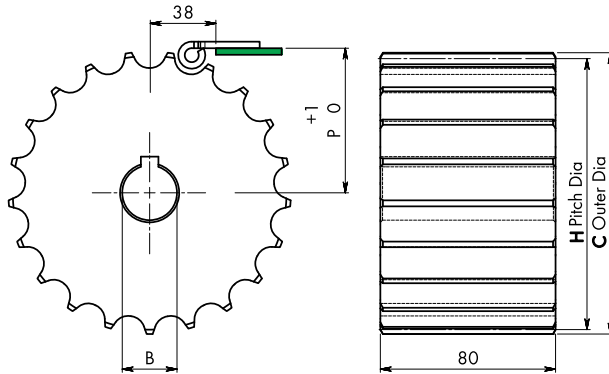
SP-802 (Straight Running SS Double Hinge Chain)

	Width W (mm)	Width W (inch)	Working Load (N)	Backflex Radius(BR) (mm)	Weight (kg/m)
SP-802 K750	190.5	7.5	10300	150	5.40

standard length : 80 pitches (10 feet - 3.048 m)



SP-802 SERIES ACCESSORIES

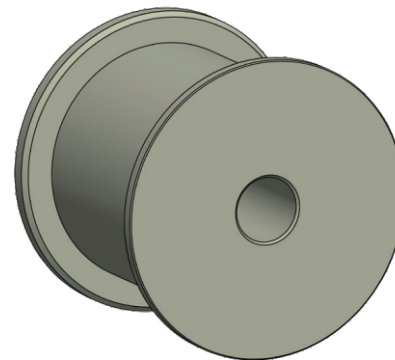
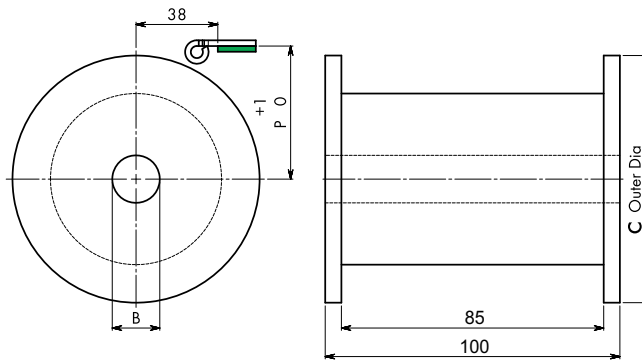


MATERIAL : POLYAMIDE

SP-802 (SPROCKET)

CODE	TEETH (Z)	C	H	P	M/C	M/C SPLIT
SP-802 S 19	19	117	117.3	61.9	■	■
SP-802 S 21	21	129	129.2	67.8	■	■
SP-802 S 23	23	142	141.2	73.8	■	■
SP-802 S 25	25	154	153.2	79.8	■	■

BORE (B) - \varnothing 25,30,35



MATERIAL : POLYAMIDE

SP-802 (IDLER)

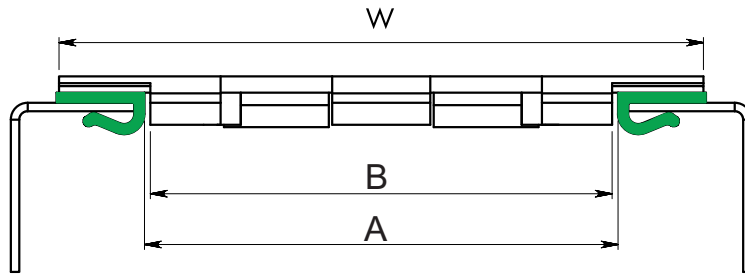
CODE	TEETH Z	C	P	M/C	M/C SPLIT
SP-802 I 19	19	117.0	62.6	■	■
SP-802 I 21	21	129.8	68.6	■	■
SP-802 I 23	23	142.2	74.6	■	■
SP-802 I 25	25	154.7	80.5	■	■

BORE (B) - \varnothing 25,30,35



SP-802 SERIES ACCESSORIES

CHAIN POSITIONING FOR SINGLE ROW



SP-802 (CHAIN POSITION)

CHAIN CODE	W	A	B
SP-802 K750	190.5	82.5	80