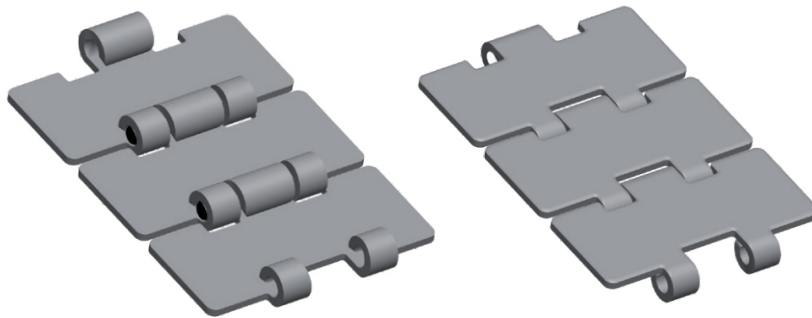




SP-812 SERIES



DIMENSION	mm	inch
P	38.1	1.50
M	42.0	1.65
L	6.40	0.28
H	13.0	0.51
E	6.35	0.25
T	3.10	0.12
G	1.80	0.06
D	44.0	1.73

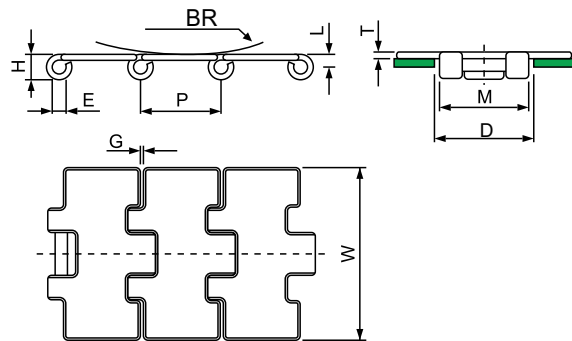


Plate Materials : Ferritic steel
Pin Material : Martensitic steel

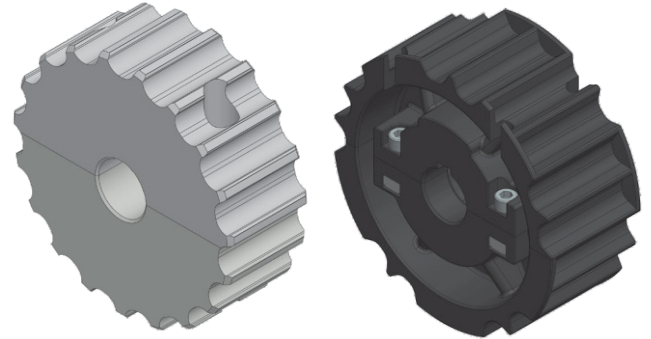
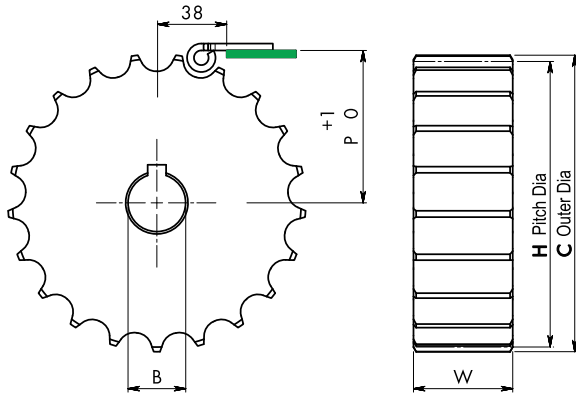
SP-812 (Straight Running SS Chain)

	Width W (mm)	Width W (inch)	Working Load (N)	Backflex Radius(BR) (mm)	Weight (kg/m)
SP-812 K325	82.5	3.25	5400	150	2.5
SP-812 K350	88.9	3.50	5400	150	2.7
SP-812 K400	101.6	4.00	5400	150	3.0
SP-812 K450	114.3	4.50	5400	150	3.3
SP-812 K600	152.4	6.00	5400	150	4.3
SP-812 K750	190.5	7.50	5400	150	5.2

standard length : 80 pitches (10 feet - 3.048 m)



SP-812 SERIES ACCESSORIES



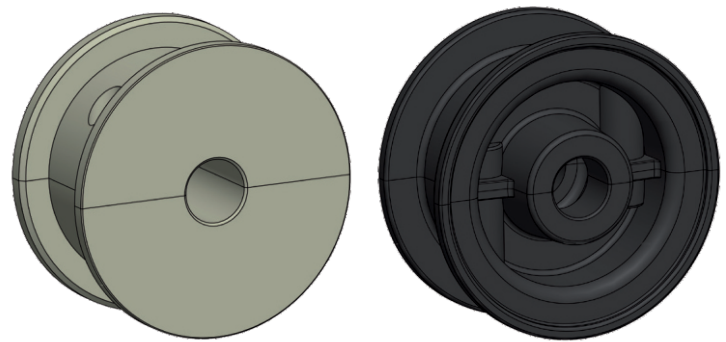
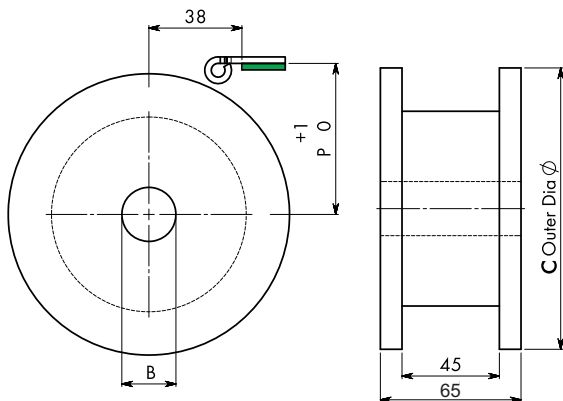
WIDTH (W)- 43 mm FOR M/C SPROCKET ,M/C SPLIT SPROCKET
AND 53 mm FOR MOULDED SPROCKET

MATERIAL : POLYAMIDE

SP-812 (SPROCKET)

CODE	TEETH (Z)	C	H	P	M/C	M/C SPLIT	MOULDED SPLIT
SP-812 S 17	17	103.9	105.47	55.9	■	■	
SP-812 S 19	19	117.0	117.34	61.9	■	■	■
SP-812 S 21	21	129.0	129.26	67.8	■	■	■
SP-812 S 23	23	142.0	141.21	73.8	■	■	
SP-812 S 25	25	154.0	153.21	79.8	■	■	■
SP-812 S 27	27	166.8	165.2	85.8	■	■	
SP-812 S 29	29	178.5	177.24	91.8	■	■	

BORE (B) - Ø 25,30,35



MATERIAL : POLYAMIDE

SP-812 (IDLER)

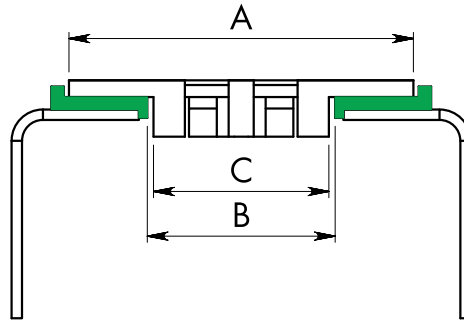
CODE	TEETH Z	C	P	M/C	M/C SPLIT	MOULDED
SP-812 I 17	17	104.0	56.2	■	■	
SP-812 I 19	19	117.0	62.6	■	■	■
SP-812 I 21	21	129.8	68.6	■	■	■
SP-812 I 23	23	142.2	74.6	■	■	
SP-812 I 25	25	154.7	80.5	■	■	■
SP-812 I 27	27	167.2	85.5	■	■	
SP-812 I 29	29	179.3	92.8	■	■	

BORE (B) - Ø 25,30,35

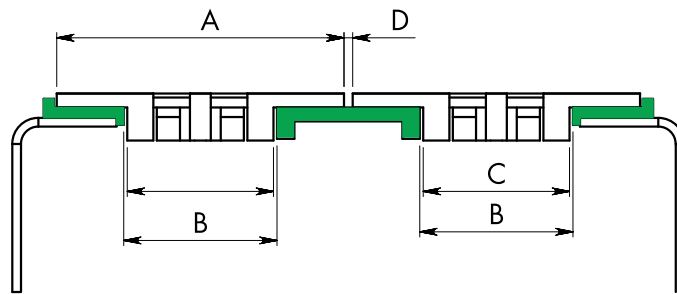


SP-812 SERIES ACCESSORIES

CHAIN POSITIONING FOR SINGLE ROW



CHAIN POSITIONING FOR MULTIPLE ROW



SP-812 (CHAIN POSITION)

CHAIN CODE	A	B	C	D
SP-812 K325	82.5	44	42	2.5
SP-812 K350	88.9	44	42	2.5
SP-812 K400	101.6	44	42	2.5
SP-812 K450	114.3	44	42	2.5
SP-812 K600	152.4	44	42	2.5
SP-812 K750	190.5	44	42	2.5