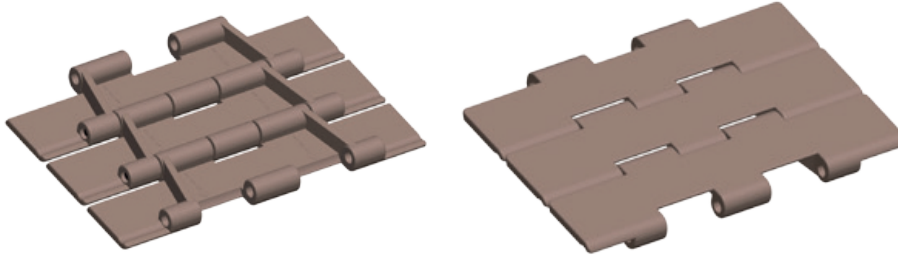
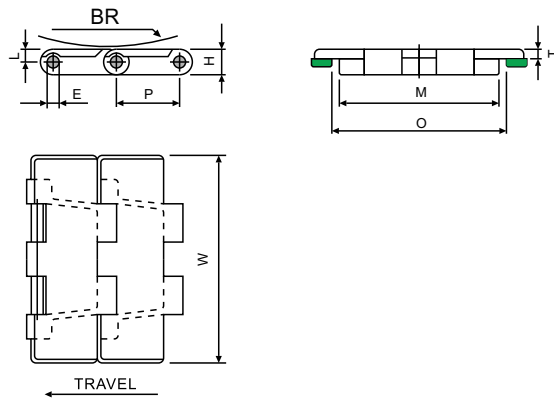




## SP-821 SERIES



DIMENSION	mm	inch
P	38.1	1.50
M	136.5	5.37
L	7.90	0.31
H	14.3	0.56
E	7.90	0.31
T	4.80	0.18
O	140	5.51



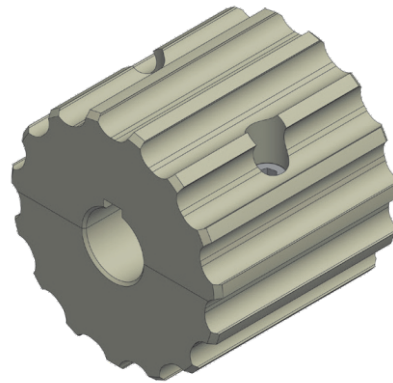
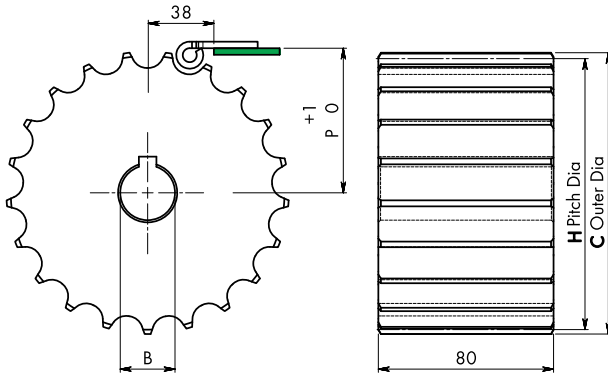
**Plate Materials** : polyacetal  
**Pin Material** : Austenitic steel

### SP-821 (Straight Running Plastic Double Hinge Chain)

	Width W (mm)	Width W (inch)	Working Load (N)	Backflex Radius(BR) (mm)	Weight (kg/m)
SP-821 K750	190.5	7.5	2680	50	2.50
SP-821 K1000	254.0	10	2680	50	2.95
SP-821 K1200	304.8	12	2680	50	3.25



# SP-821 SERIES ACCESSORIES

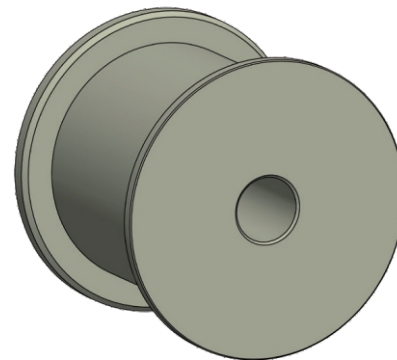
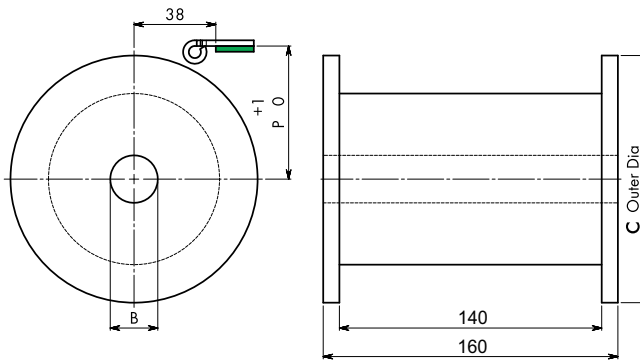


**MATERIAL : POLYAMIDE**

## SP-821 (SPROCKET)

CODE	TEETH (Z)	C	H	P	M/C	M/C SPLIT
SP-821 S 19	19	117	117.3	61.9	■	■
SP-821 S 21	21	129	129.2	67.8	■	■
SP-821 S 23	23	142	141.2	73.8	■	■
SP-821 S 25	25	154	153.2	79.8	■	■

BORE (B) - Ø 25,30,35,40



**MATERIAL : POLYAMIDE**

## SP-821 (IDLER)

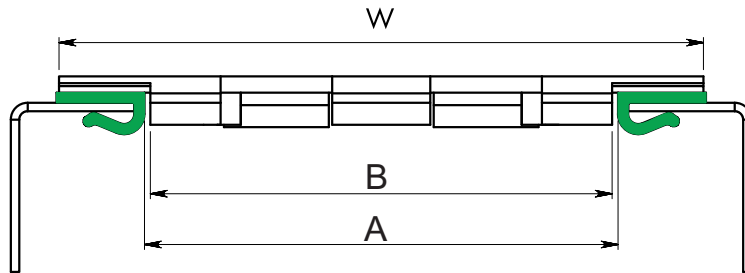
CODE	TEETH Z	C	P	M/C	M/C SPLIT
SP-821 I 19	19	117.0	62.6	■	■
SP-821 I 21	21	129.8	68.6	■	■
SP-821 I 23	25	142.2	74.6	■	■
SP-821 I 25	25	154.7	80.5	■	■

BORE (B) - Ø 25,30,35,40



## SP-821 SERIES ACCESSORIES

### CHAIN POSITIONING FOR SINGLE ROW



### SP-821 (CHAIN POSITION)

CHAIN CODE	W	A	B
SP-820 K750	190.5	140	136.5
SP-820 K1000	154	140	136.5
SP-820 K1200	304.8	140	136.5