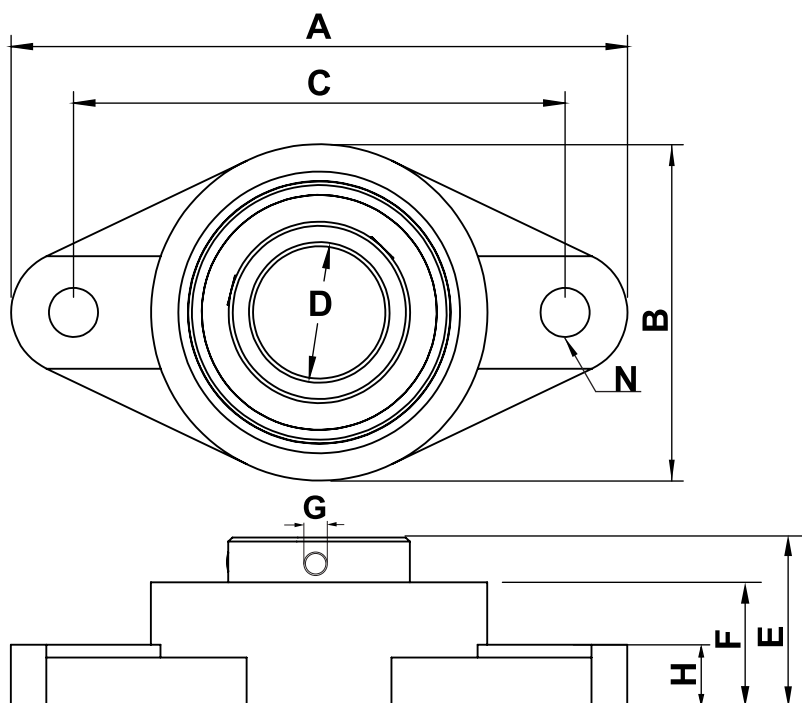


SPECTRA PLAST - PLASTIC BEARING BLOCKS



UCFL - TWO BOLT FLANGE UNITS



Ød	CODE	A	B	C	E	F	N	G	H
20	FL 204	113	64	90	32.5	27	11.5	M6	12
25	FL 205	130	69	99.5	36	28.5	11.5	M6	15
30	FL 206	148	80	117	40.2	30.5	11.5	M6	15
35	FL 207	163	89	130	43	33	13	M8	16.5
40	FL 208	174.5	98.5	144	51	38	14	M8	21
45	FL 209	189.5	107.5	149	55	40.5	16.5	M8	21
50	FL 210	198	114.5	156	56	41.5	16.5	M10	23.5