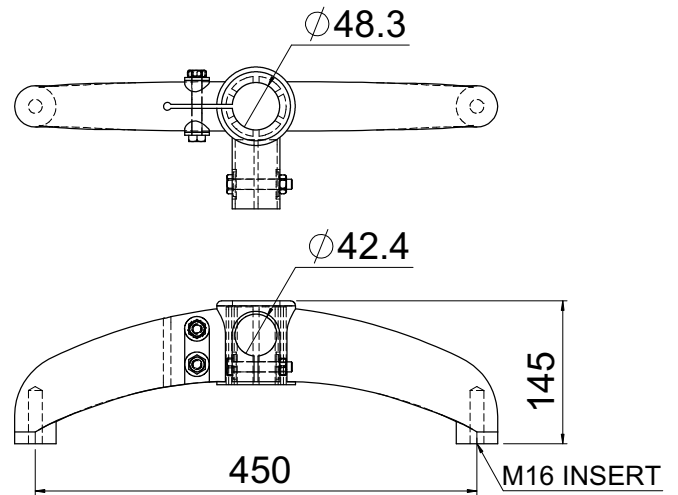




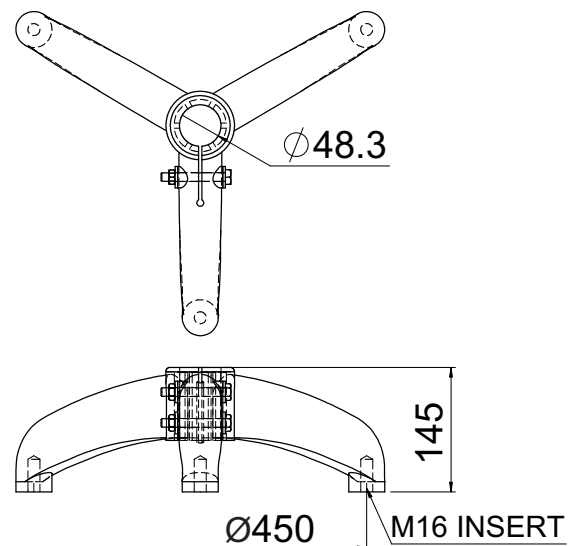
SUPPORT BASES

BIPOD



PART NO . SBT - 248
Material - Reinforced polyamide
Hardware - Stainless steel
Suitable tubes - $\varnothing 48.3$ mm
Cross tubes - $\varnothing 42.4$ mm
Max applicable load - 8000 N

TRIPOD



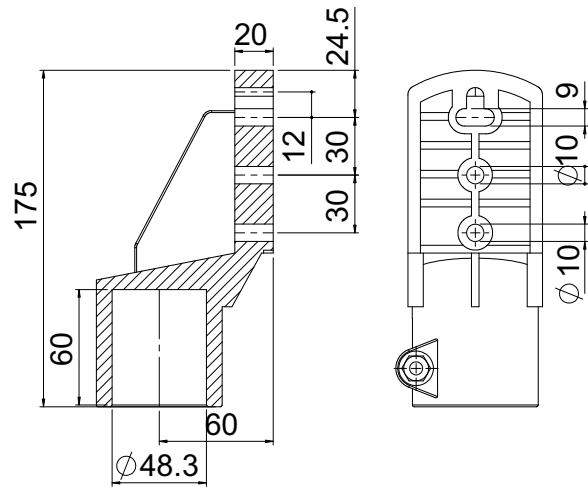
PART NO . SBT - 348
Material - Reinforced polyamide
Hardware - Stainless steel
Suitable tube - $\varnothing 48.3$ mm
Max applicable load - 10000 N



SIDE MOUNTING TOP BRACKET



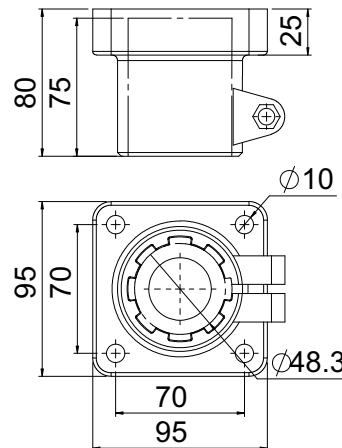
PART NO . SMB - 5664
Material - Reinforced polyamide
Hardware - Stainless steel
Suitable tube - Ø48.3 mm



SUPPORT HEADS



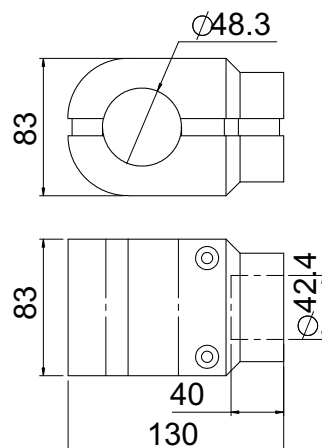
PART NO . SSH - 9595
Material - Reinforced polyamide
Hardware - Stainless steel
Suitable tube - Ø48.3 mm



CONNECTING JOINT



PART NO . SCJ - 1284
Material - Reinforced polyamide
Hardware - Stainless steel
Suitable tube - Ø48.3 mm
Cross tube - Ø42.4 mm

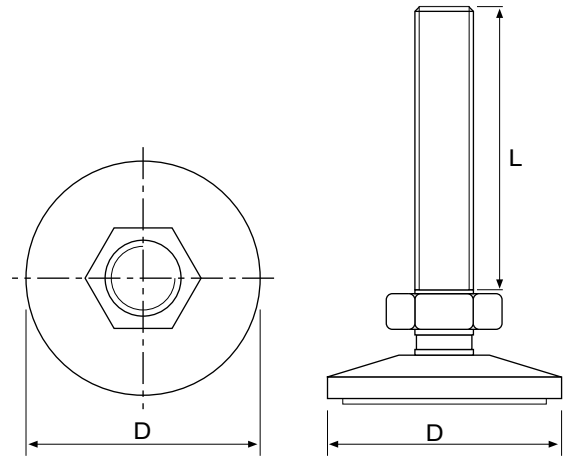




ARTICULATED LEGPAD

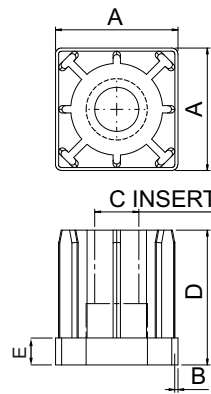


LEG PAD BASE (D)- 80,100,125
 PART NO . **ALP - 1680,16100,16125**
 CUSTOM PART NO - **(AD)**
 Material - Reinforced polyamide
 Hardware - Stainless steel
 Max applicable load - 10000 N

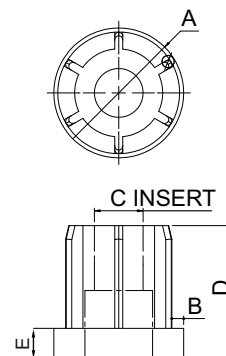


Stud Size (A)	Stud Length(B) /Thread Length (L) (mm)						
	100/75	125/96	138/108	150/120	175/145	200/175	225/195
M10	■						
M12	■			■			
M16	■	■	■	■	■	■	■
M20	■				■		■

ADAPTORS- SQUARE & ROUND



A	B	C	D	E
30X30	1.5	M16,M12	44	9
40X40	1.2	M16	44	9
50X50	1.5	M16,M20	43	9
60X60	3	M20	44	10



ØA	B	C	D	E
38	1.2	M16	48.5	10.5
50	2.5	M16	48.5	9.5