

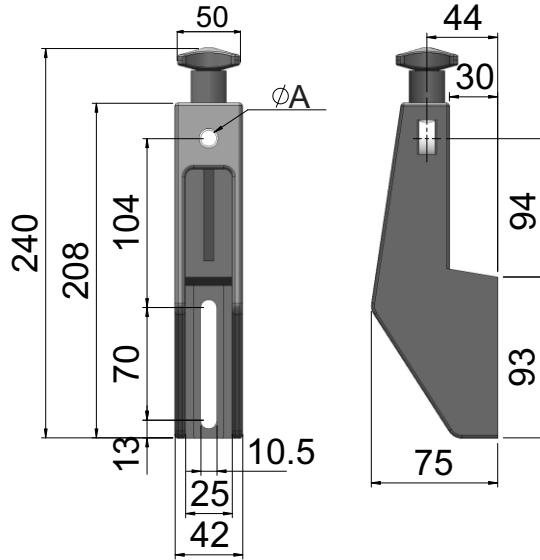


# GUIDE RAIL BRACKETS

## EYE BOLT BRACKET - BIG



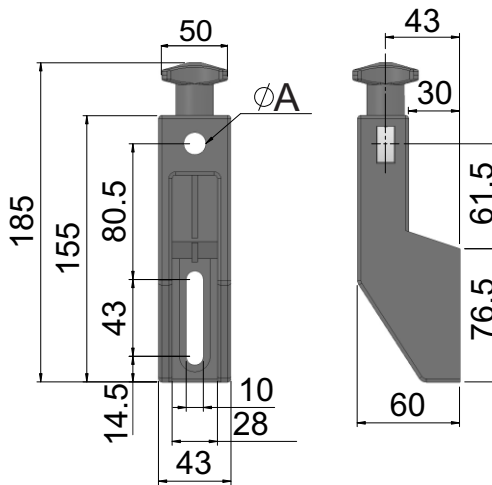
GUIDE ROD  $\phi A$  -  $\phi 12$  /  $\phi 14$  /  $\phi 16$   
 PART NO . SB-KB-240  
 Material - Reinforced polyamide  
 Hardware - Stainless steel



## EYE BOLT BRACKET - SMALL



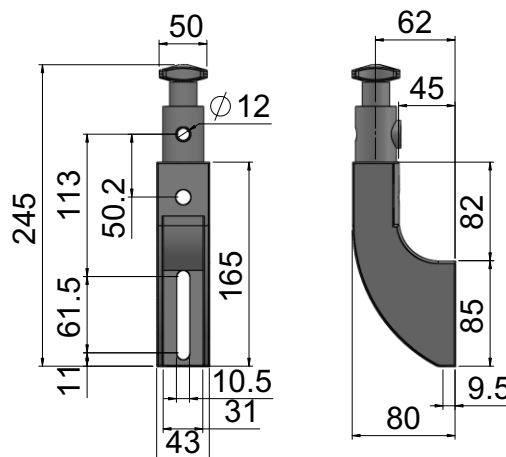
GUIDE ROD  $\phi A$  -  $\phi 12$  /  $\phi 14$  /  $\phi 16$   
 PART NO . SB-KB-180  
 Material - Reinforced polyamide  
 Hardware - Stainless steel



## SWIVEL BRACKET



PART NO . SB-ST-250  
 Material - Reinforced polyamide  
 Hardware - Stainless steel



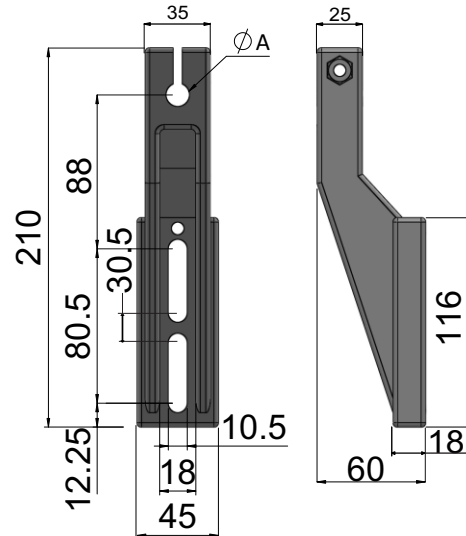


# GUIDE RAIL BRACKETS

## ALLEN BOLT BRACKET - BIG



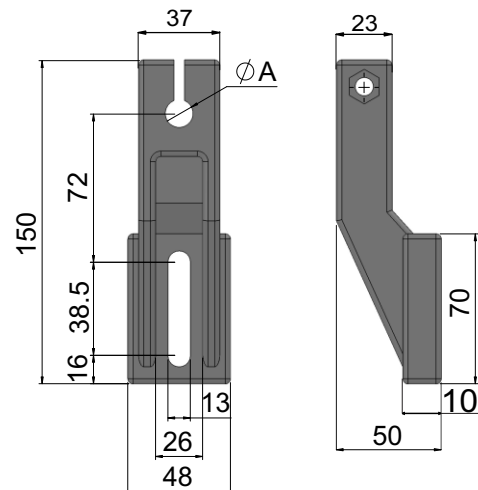
GUIDE ROD  $\phi A$  -  $\phi 12 / 14 / 16$   
PART NO . SB-AB-210  
Material - Reinforced polyamide  
Hardware - Stainless steel



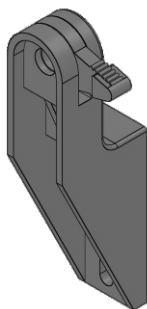
## ALLEN BOLT BRACKET - SMALL



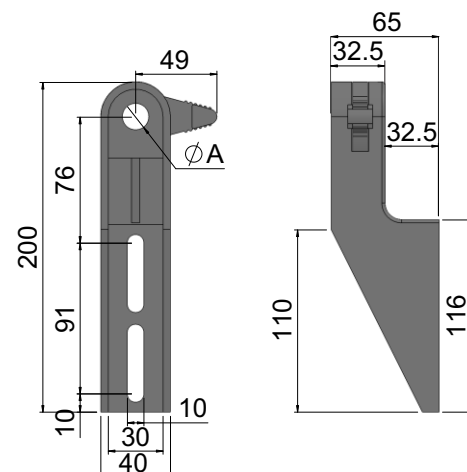
GUIDE ROD  $\phi A$  -  $\phi 12 / 14 / 16$   
PART NO . SB-AB-150  
Material - Reinforced polyamide  
Hardware - Stainless steel



## LEVER BRACKET



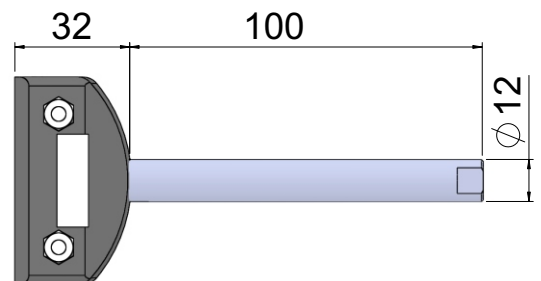
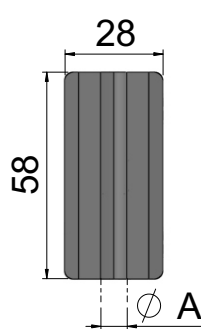
GUIDE ROD  $\phi A$  -  $\phi 12 / 14 / 16$   
PART NO . SB-LB-200  
Material - Reinforced polyamide  
Hardware - Stainless steel





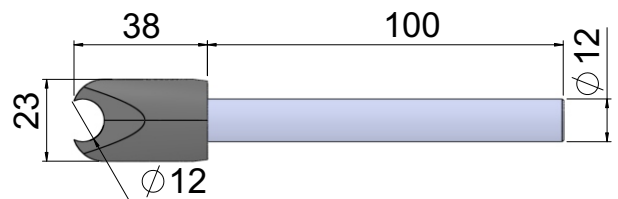
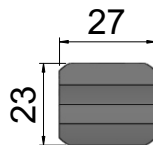
## GUIDE RAIL CLAMPS

### Guide Rail Clamp For Single Rod Holder



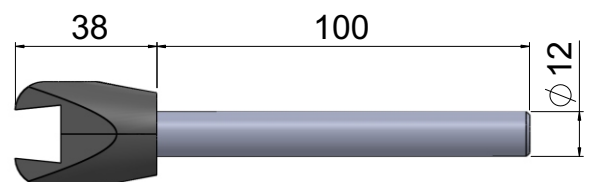
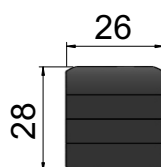
ROD  $\phi A - \phi 10, \phi 12$   
PART NO . SRC - 5835  
Material - Reinforced polyamide  
Hardware - Stainless steel

### Guide Rail Clamp For Single Rod Holder



PART NO . SRC - 2738  
Material - Reinforced polyamide  
Hardware - Stainless steel

### Guide Rail Clamp For Mushroom Profile



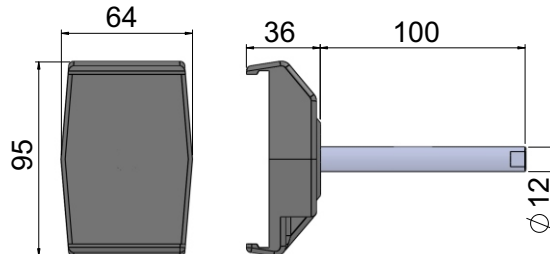
Profiles : 

PART NO . SRC - 2737  
Material - Reinforced polyamide  
Hardware - Stainless steel



## GUIDE RAIL CLAMPS

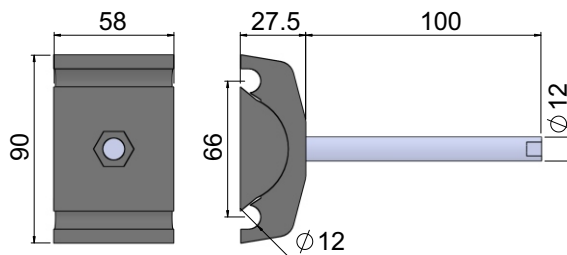
### Guide Rail Clamp For "D" Profile



PART NO . SRC - 9764  
Material - Reinforced polyamide  
Hardware - Stainless steel

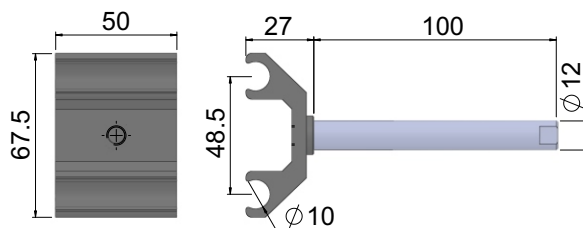
### Guide Rail Clamp For Double Rod Holder (12mm)

(made of two piece construction)



PART NO . DRC - 9160  
Material - Reinforced polyamide  
Hardware - Stainless steel

### Guide Rail Clamp For Double Rod (10mm)



PART NO . DRC - 6750  
Material - Reinforced polyamide  
Hardware - Stainless steel

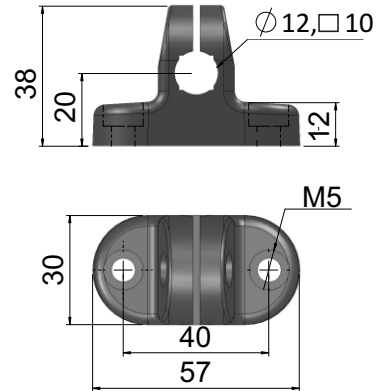


## CONNECTING CLAMPS

### T Clamp



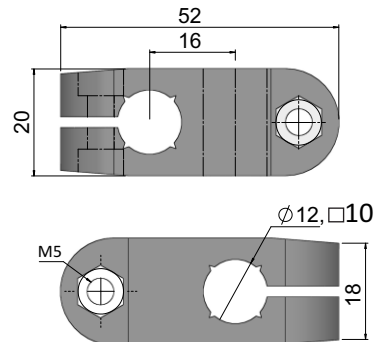
PART NO . TC5630  
Material - Reinforced polyamide  
Hardware - Stainless steel



### Cross Clamp



PART NO . CC5220  
Material - Reinforced polyamide  
Hardware - Stainless steel



### Sensor Clamp



PART NO . SC5830  
Material - Reinforced polyamide  
Hardware - Stainless steel

